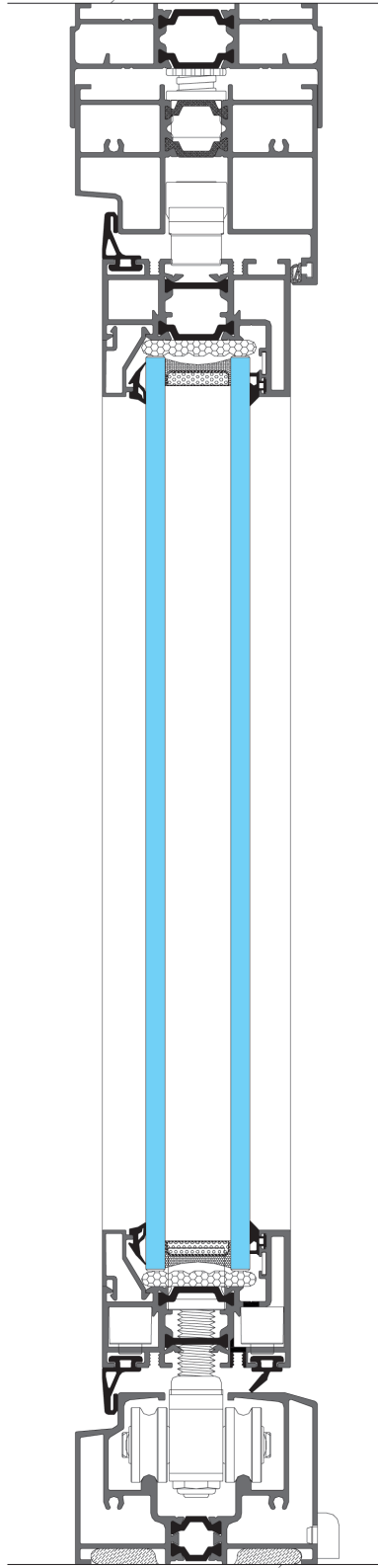


Technical data sheet

Aluminium Bi-fold doors

Bi-fold doors technical data sheet · Ed. 11.2. 2023-07



Bi-fold doors series:

Thermal break series

- Airclos S220 RPT
- Airclos S200 RPT
- Airclos S70 RPT

Basic serie

- Airclos S55

INDEX

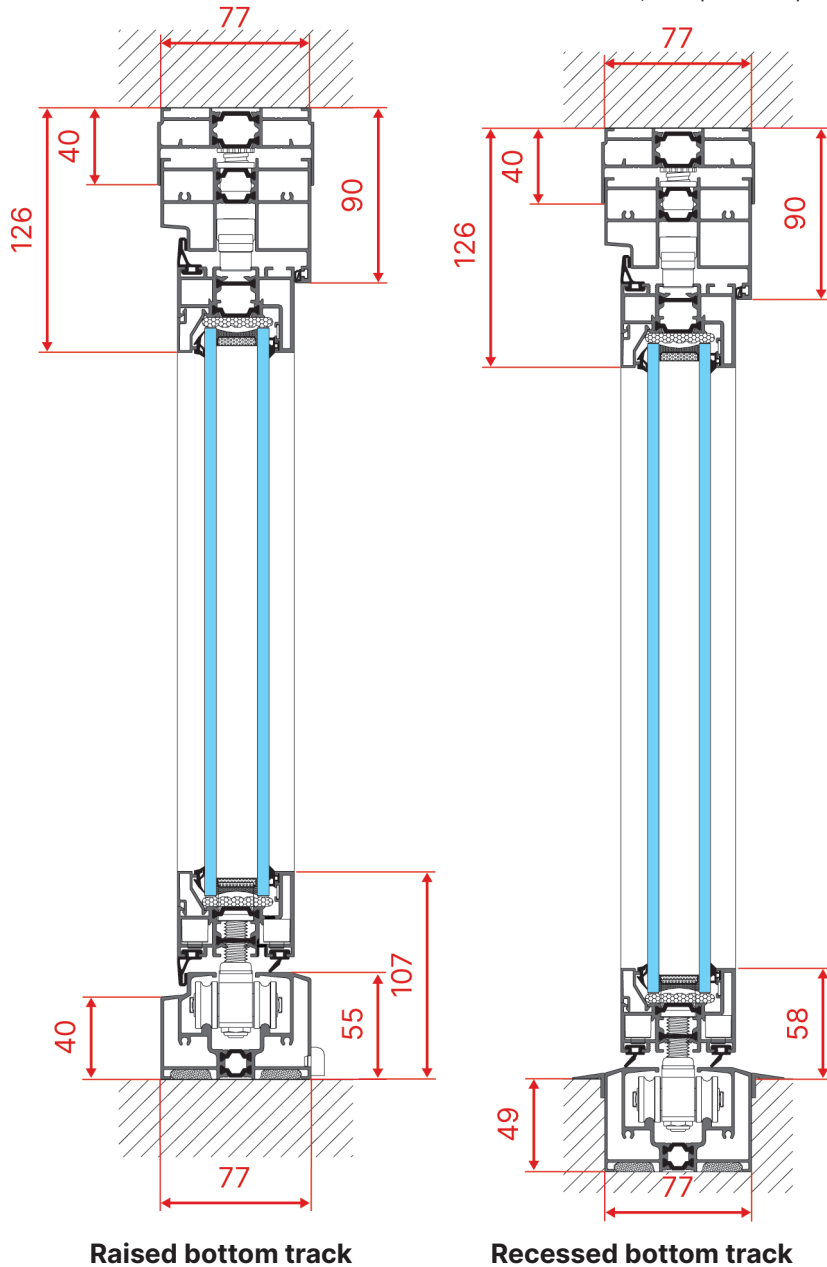
S220 RPT	3
S200 RPT	4
Bottom guide options for S220 RPT and S200 RPT	5
Opening options for S220 RPT and S200 RPT	6
S70 RPT	7
S55	8
Opening options for S70 RPT and S55	9

S220 RPT Series

Vertical section

Dimensions in mm

*Dimensions are valid, except for misprints



Raised bottom track

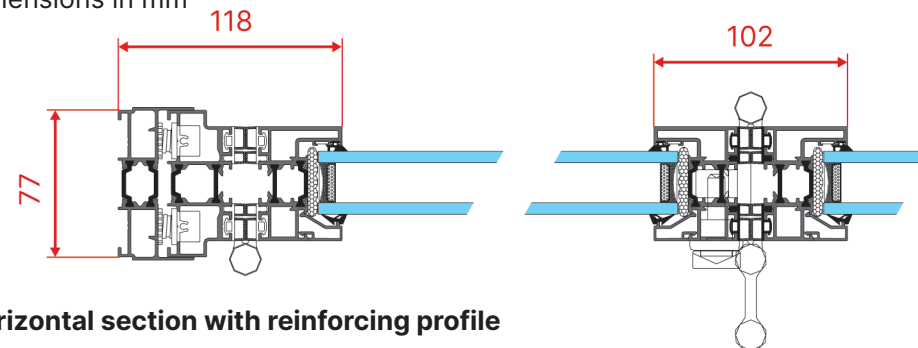
Recessed bottom track

Features

- Special reinforced series made from thermally broken aluminium and quadruple weathertight gasket.
- Thermal insulation values (U_w) from 1.54 W/m^2K , depending on the glass used.
- Glass panels up to 3000 mm high, 1200 mm wide and 130 kg weight. Possibility of adding reinforcing profile for glass panels up to 4500 mm high and 200 kg weight
- Super slim profiles, meeting leaves just 102 mm (144 mm with reinforcement column).
- Available with 40 mm gaps for the incorporation of 32 mm double glazing.
- Leaves can open inwards or outwards.
- Fitted with horizontal and vertical glazing beads.
- Includes U-shaped compensation profile to correct minor misalignments.
- Optional incorporation of standard handles, business-type handles or three-point bolt locks.
- Accessories are available in black.
- Available with lacquered finishes in the classic RAL colour range, anodised or decorated with wood-grain effect.

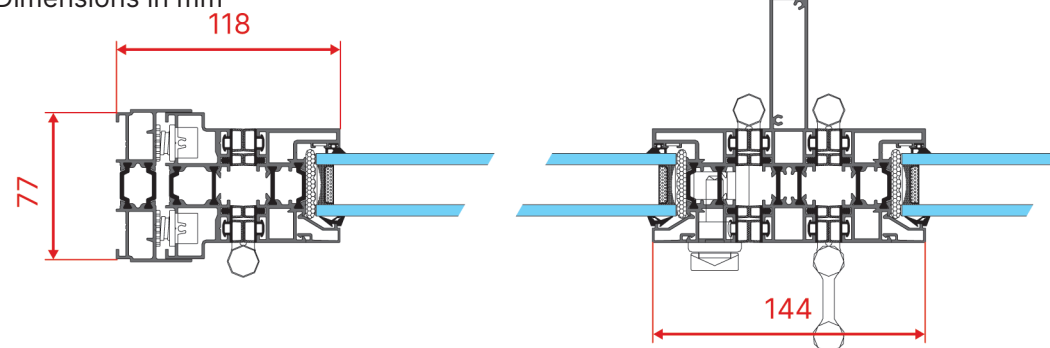
Horizontal section

Dimensions in mm



Horizontal section with reinforcing profile

Dimensions in mm

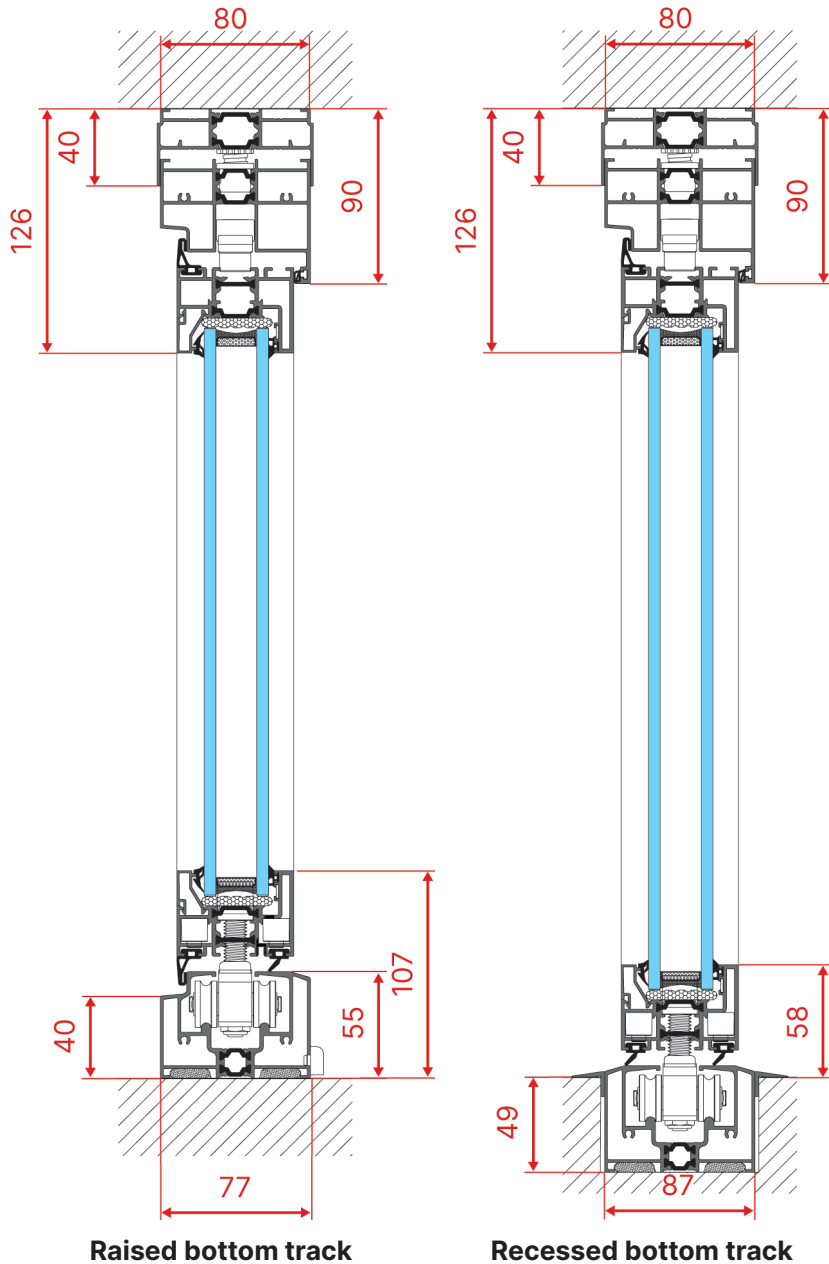


S200 RPT Series

Vertical section

Dimensions in mm

*Dimensions are valid, except for misprints

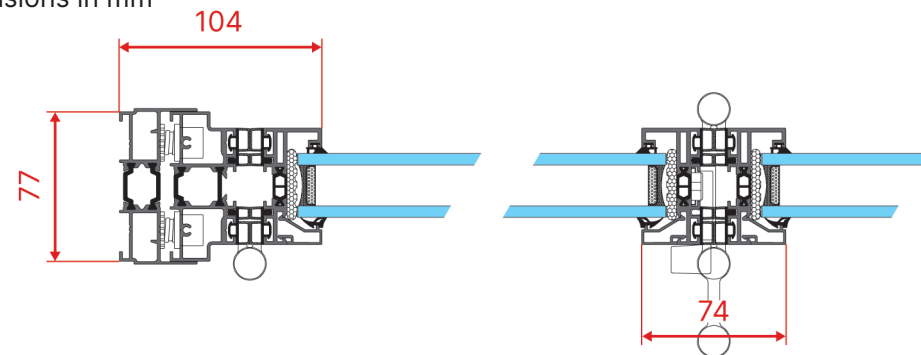


Features

- Minimalistic special reinforced series made from thermally broken aluminium and quadruple weathertight gasket.
- Thermal insulation values (U_w) from $1.54 \text{ W/m}^2\text{K}$, depending on the glass used.
- Glass panels up to 3000 mm high, 1200 mm wide and 100 kg weight.
- Super slim profiles, meeting leaves just 74 mm.
- Available with 40 mm gaps for the incorporation of 32 mm double glazing.
- Leaves can open inwards or outwards.
- Fitted with horizontal and vertical glazing beads.
- Includes U-shaped compensation profile to correct minor misalignments.
- Optional incorporation of standard handles, business-type handles or three-point bolt locks.
- Accessories are available in black.
- Available with lacquered finishes in the classic RAL colour range, anodised or decorated with a wood-grain effect.

Horizontal section

Dimensions in mm

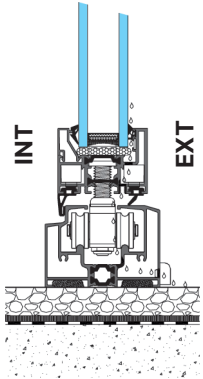


Bottom guide options for S220 RPT and S200 RPT

Raised bottom track options

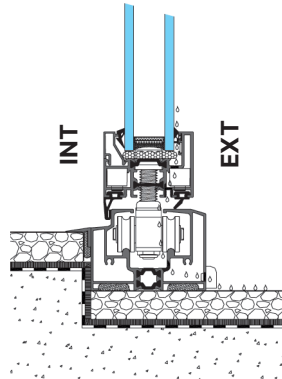
Raised bottom track

GS-1



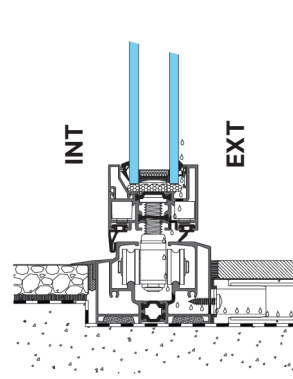
Raised bottom track with step

GS-2



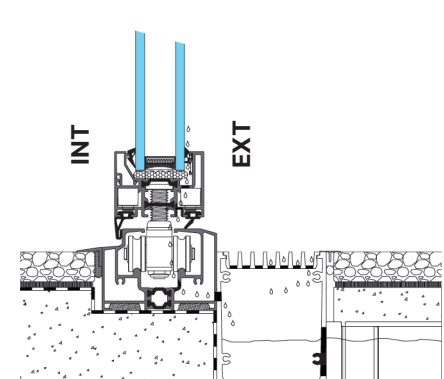
Raised recessed bottom track

GSE-1



Raised recessed bottom track with drainage system

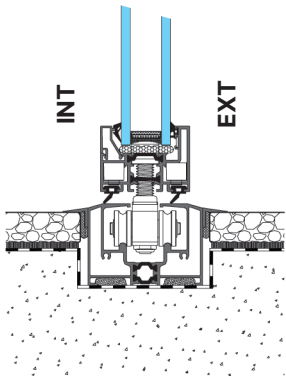
GSE-2



Recessed bottom track options

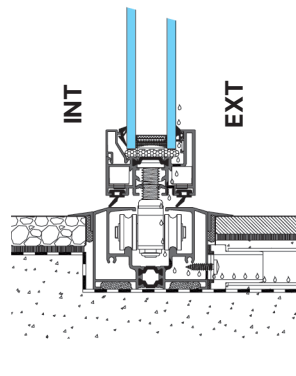
Recessed bottom track

GE-1



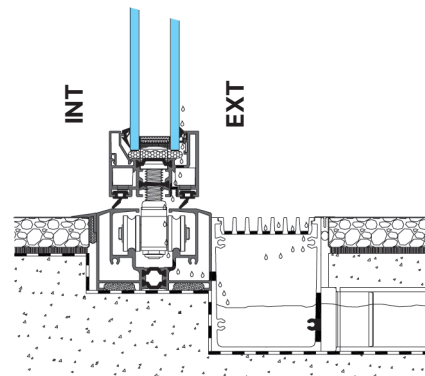
Recessed bottom track with drainage system

GE-2



Recessed bottom track with drainage channel

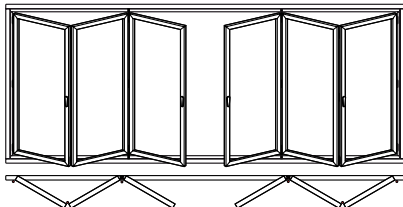
GE-3



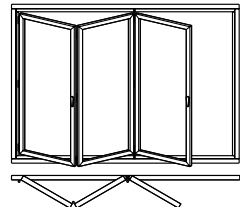
Opening options for S220 RPT and S200 RPT

Opening options

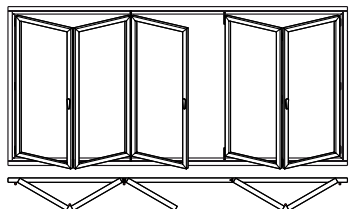
Both sides inward opening.
Number of leaves: odd and odd.



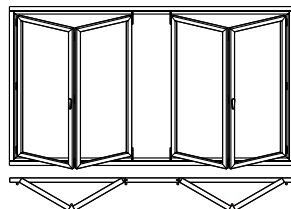
Left inward opening.
Number of leaves: odd.



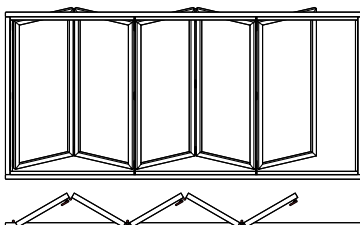
Both sides inward opening.
Number of leaves: odd and pair.



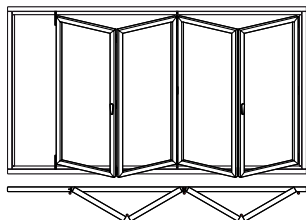
Interior opening both sides.
Number of leaves: pair and pair.



Left outward opening.
Number of leaves: odd.



Right inward opening.
Number of leaves: pair.



Features

There are many possibilities to adjust the opening configuration to suit your requirements. You can slide the doors as you wish.

You can slide all the panels to right or left side, or both sides of the aperture.

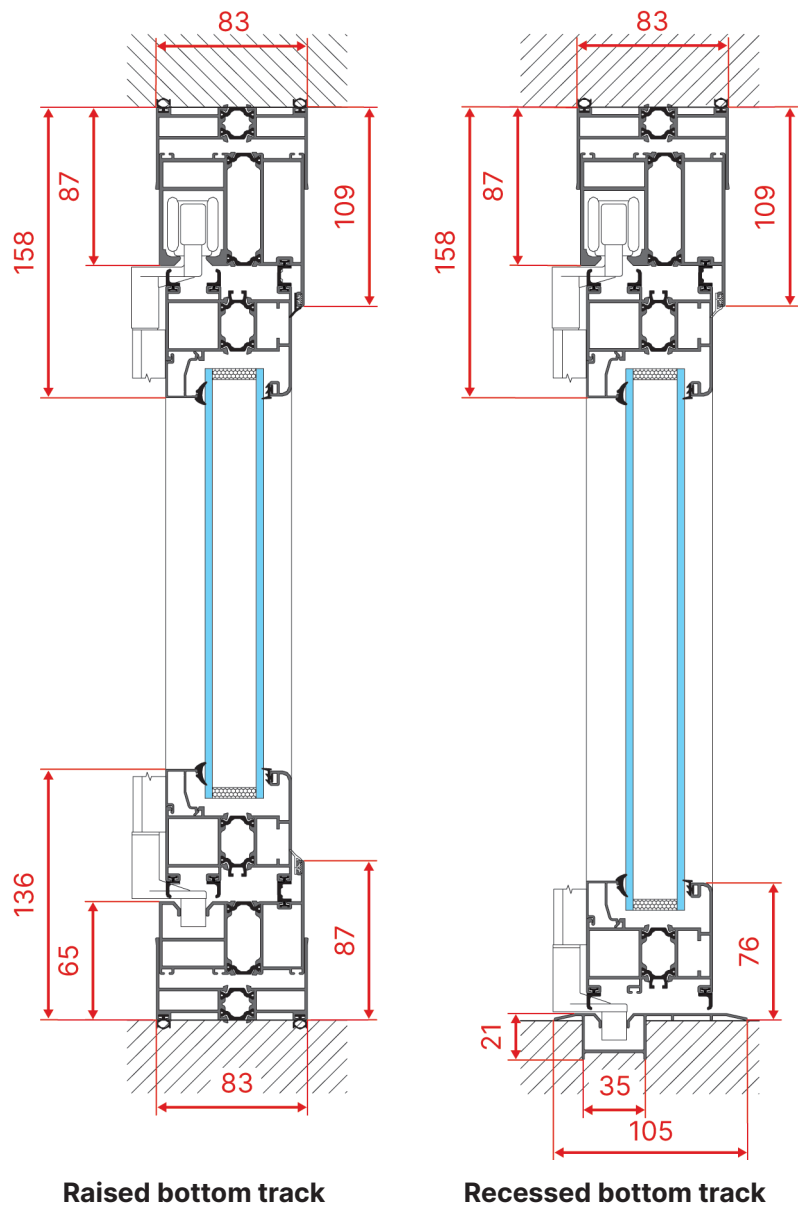
Panels can be folded inwards or outwards.

S70 RPT Series

Vertical section

Dimensions in mm

*Dimensions are valid, except for misprints



Raised bottom track

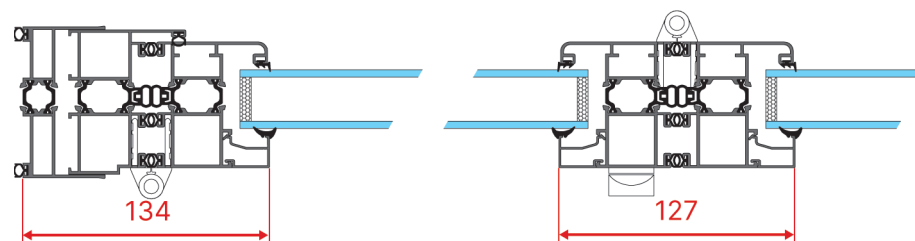
Recessed bottom track

Features

- Special reinforced series made from thermally broken aluminium and triple weathertight gasket.
- Thermal insulation values (U_w) between 2.0 - 2.4 W/m^2K , depending on the glass used.
- Glass panels up to 2750 mm high and 900 mm wide. Possibility of adding reinforcing profile for glass panels up to 3000 mm high and 1000 mm wide.
- Available with 27, 33, 39, 43, 47 and 50 mm gaps for the incorporation of glazing or panels.
- Can incorporate one or more mid rails.
- Leaves can open inwards or outwards.
- Fitted with horizontal and vertical glazing beads.
- Includes U-shaped compensation profile to correct minor misalignments.
- Optional incorporation of standard handles, business-type handles or three-point bolt locks.
- Accessories are available in white, black and, on demand, in the same colours as the profiles.
- Available with lacquered finishes in the classic RAL colour range, anodised or decorated with a wood-grain effect.

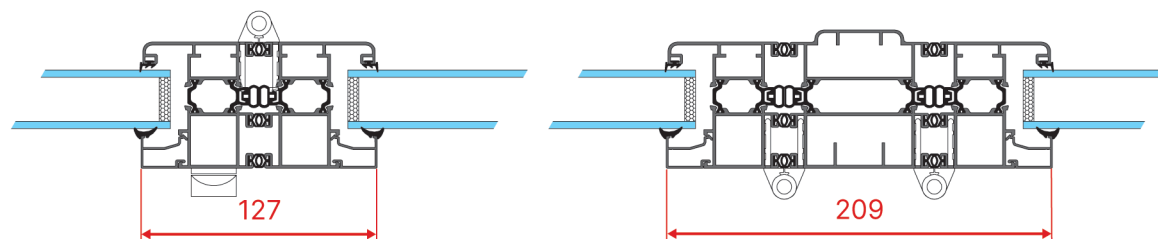
Horizontal section

Dimensions in mm



Horizontal section with reinforcing profile

Dimensions in mm

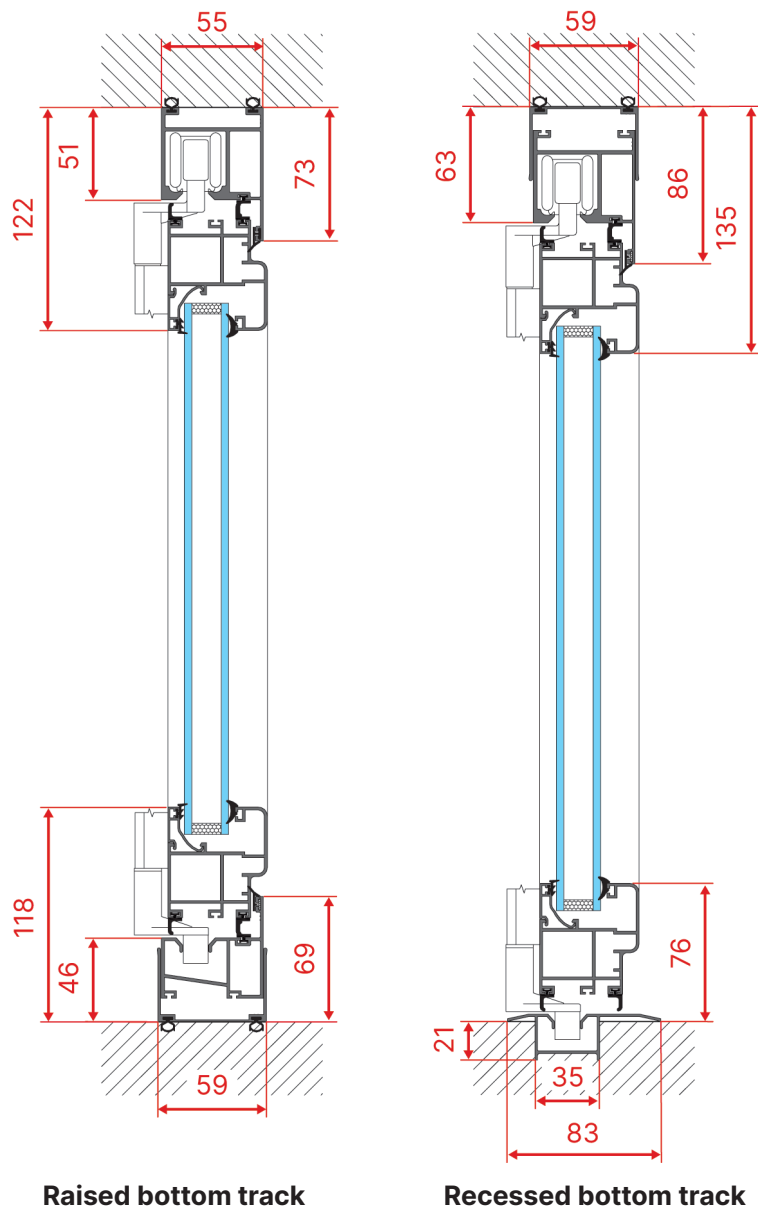


S55 Series

Vertical section

Dimensions in mm

*Dimensions are valid, except for misprints



Raised bottom track

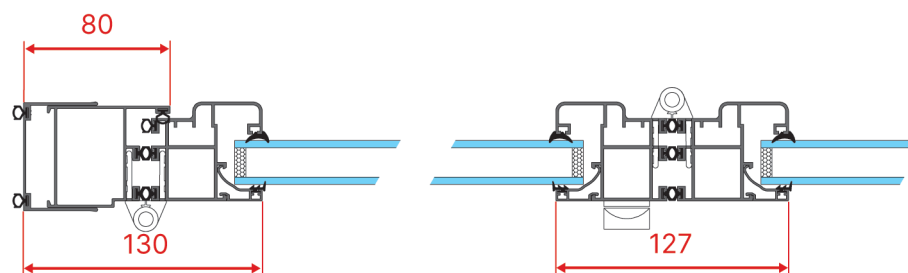
Recessed bottom track

Features

- Special reinforced series with triple weathertight gasket
- Glass panels up to 2750 mm high and 900 mm wide. Possibility of adding reinforcing profile for glass panels up to 3000 mm high and 1000 mm wide.
- Available with 13, 19, 23, 27 and 30 mm gaps for the incorporation of glazing or panels.
- Available with fixed and adjustable louvers.
- Can incorporate one or more mid rails.
- Leaves can open inwards or outwards.
- Fitted with horizontal and vertical glazing beads.
- Includes U-shaped compensation profile to correct minor misalignments.
- Optional incorporation of standard handles, business-type handles or three-point bolt locks.
- Accessories are available in white, black and, on demand, in the same colours as the profiles.
- Available with lacquered finishes in the classic RAL colour range, anodised or decorated with wood-grain effect.

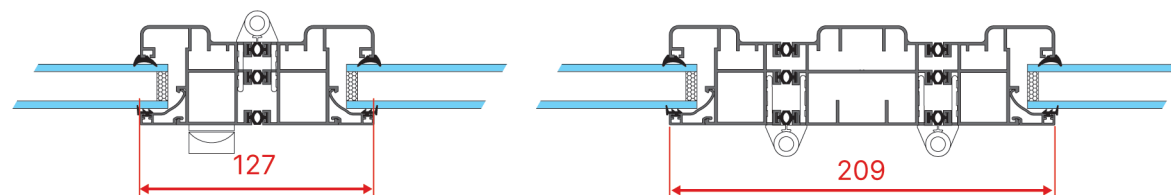
Horizontal section

Dimensions in mm



Horizontal section with reinforcing profile

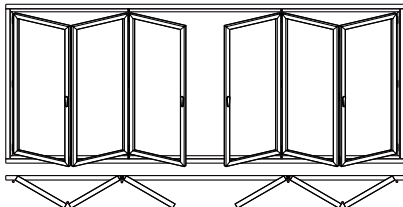
Dimensions in mm



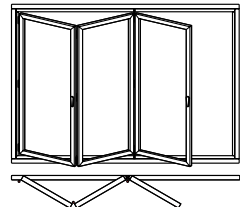
Opening options for S70 RPT and S55

Opening options

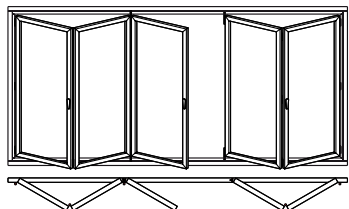
Both sides inward opening.
Number of leaves: odd and odd.



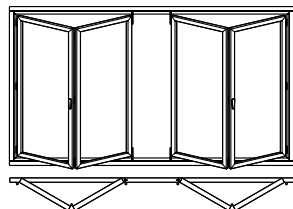
Left inward opening.
Number of leaves: odd.



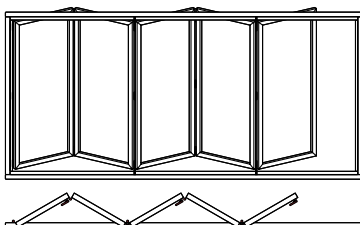
Both sides inward opening.
Number of leaves: odd and pair.



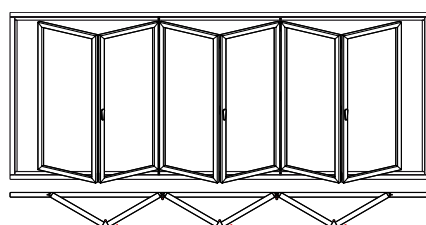
Interior opening both sides.
Number of leaves: pair and pair.



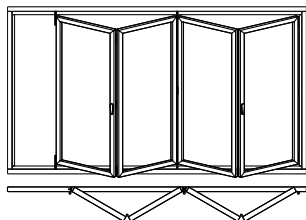
Left outward opening.
Number of leaves: odd.



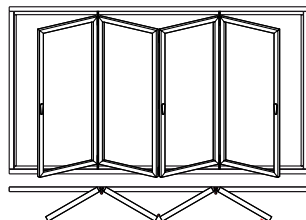
Indistinct inward opening.
Number of leaves: pair.



Right inward opening.
Number of leaves: pair.



Indistinct inward opening with hinged doors.



Features

There are many possibilities to adjust the opening configuration to suit your requirements. You can slide the doors as you wish.

You can slide all the panels to right or left side, or both sides of the aperture.

You also have the possibility to open them either to right and left side.

Panels can be folded inwards or outwards.



European Aluminium Systems S.L.

Avenida Europa, 103
12006 Castellón de la Plana, Spain

(+34) 964 260 849 · export@airclos.com

Fichas Técnicas Puertas Plegables · Ed. 11.2. 2023-07. European Aluminium Systems S.L. se reserva el derecho de modificar y/o suprimir las series expuestas en este catálogo sin previo aviso. Los elementos y colores de las series pueden presentar ligeras diferencias respecto a los originales. Las características y/o dimensiones que se muestran en este catálogo son válidas excepto por error tipográfico. ©2020 **European Aluminium Systems S.L.** El contenido de este catálogo está protegido por la Ley de Propiedad Intelectual, Real Decreto Legislativo 1/1996. Cualquier reproducción del mismo, en parte o en su totalidad, sin autorización expresa de European Aluminium Systems S.L. puede ser sancionada conforme el Código Penal.

