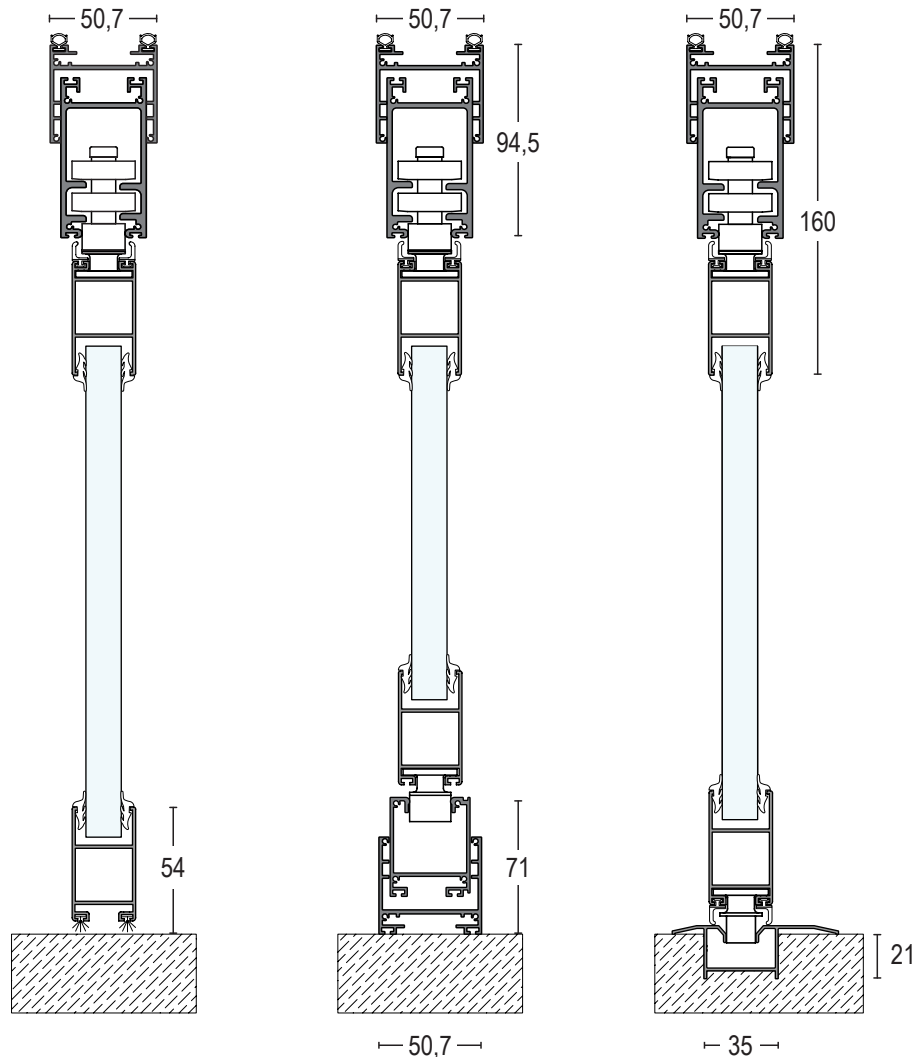


# AirClos A35

## Vertical section

## Features

### Dimensions in mm



Without bottom track

Raised bottom track

Recessed bottom track

- Smooth lines with rounded edges and a double weathertight gasket; allows for the creation of curved systems.
- Available with 10, 13, 18, 24, 35 mm gaps for the incorporation of glazing or panels.
- Leaves can open inwards or outwards, and can also incorporate one or more mid rails.
- An ingenious stacking mechanism allows all the leaves to be slid to one side and neatly parked into a recess that allows a totally clear opening without encroaching into the room space.
- Series with optional flush-mounted or surface-mounted bottom track, bottom roller system, or stainless steel flushmounted track. Includes U-shaped compensation profile to correct minor misalignments.
- Optional incorporation of standard handles, business-type handles or three-point bolt locks.
- Accessories are available in white, black and on demand, in the same colours as the profiles.
- They can be epoxy polyester powder coated in any of 210 shades included in the classic RAL colour range.

### Horizontal Section. Leave detail

### Views

