

Bi-fold door systems - Technical comparative table.

Airclos aluminium bi-fold doors are the most versatile option for closing spaces or dividing rooms in your home or business. You can fully close a room or regain full contact with the outside in a matter of seconds thanks to its simple operation.

Minimalist bi-fold doors. We have the narrowest profile on the market for a completely minimalist design. We offer systems with a vertical section of only 74mm thick.

Bi-fold doors with the highest thermal performance. The best series of our folding doors is capable of reaching a thermal transmittance coefficient of $U_w = 1.3 \text{ W/m}^2\text{K}$, thus achieving the most restrictive levels of thermal insulation.

Thanks to this, maximum thermal comfort is guaranteed in your home or business, without increasing your energy bill and reducing the carbon footprint.

Custom development. Each of our series allows an extra level of customisation so as to configure all the features of the system.

	S220 RPT		S200 RPT		S70 RPT		S55	
	Without reinforcement	With reinforcement	Without reinforcement	Without reinforcement	With reinforcement	Without reinforcement	With reinforcement	
Material	Aluminium · Glass	Aluminium · Glass	Aluminium · Glass	Aluminium · Glass	Aluminium · Glass	Aluminium · Glass	Aluminium · Glass	
Profile finishes	RAL · Anodised · Wooden	RAL · Anodised · Wooden	RAL · Anodised · Wooden	RAL · Anodised · Wooden	RAL · Anodised · Wooden	RAL · Anodised · Wooden	RAL · Anodised · Wooden	
Minimalist vertical section	102 mm	144 mm	74 mm	–	–	–	–	
Thermal insulation values (U_w)	1.54 $\text{W/m}^2\text{K}$	1.54 $\text{W/m}^2\text{K}$	1.54 $\text{W/m}^2\text{K}$	2,0 $\text{W/m}^2\text{K}$	2,0 $\text{W/m}^2\text{K}$	–	–	
Frame profile thickness	80 mm	80 mm	80 mm	83 mm	83 mm	59 mm	59 mm	
Maximum glazing gaps	40 mm	40 mm	40 mm	27, 33, 39, 43, 47 y 50 mm	27, 33, 39, 43, 47 y 50 mm	13, 19, 23, 27 y 30 mm	13, 19, 23, 27 y 30 mm	
Maximum pane width	1200 mm	1200 mm	1200 mm	900 mm	1000 mm	900 mm	1000 mm	
Maximum pane height	3000 mm	4500 mm	3000 mm	2750 mm	3000 mm	2750 mm	3000 mm	
Maximum pane height	130 kg	200 kg	100 kg	40 - 45 kg	65 - 68 kg	40 - 45 kg	65 - 68 kg	
Flush bottom track	Yes	Yes	Yes	Yes	Yes	Yes	Yes	
Bearing type	Lower	Lower	Lower	Upper	Upper	Upper	Upper	
Number of compensating profiles	3	3	3	4	4	3	3	
Fixed and adjustable louvers	–	–	–	–	–	Yes	Yes	

Please consult us for other options not mentioned in this table.

Sectional details of the series with Thermal Break.



S220 RPT

Specially reinforced series for large projects and high thermal performance. The Thermal Break gives it a great U_w value of only $1.54 \text{ W/m}^2\text{K}$.



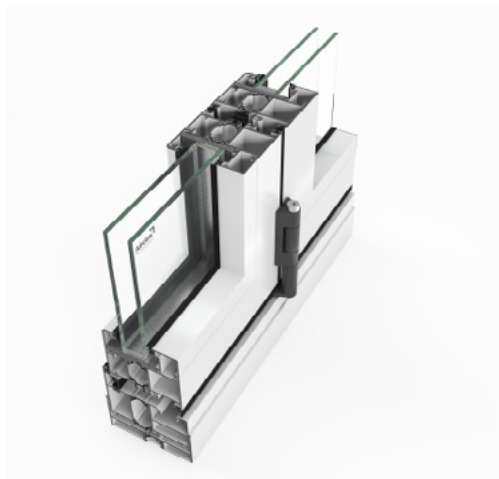
S220 RPT - With reinforcement column

The reinforcement column allows to manufacture glass panels up to 4.5 m high and 260 kg in weight in the S220 RPT series.



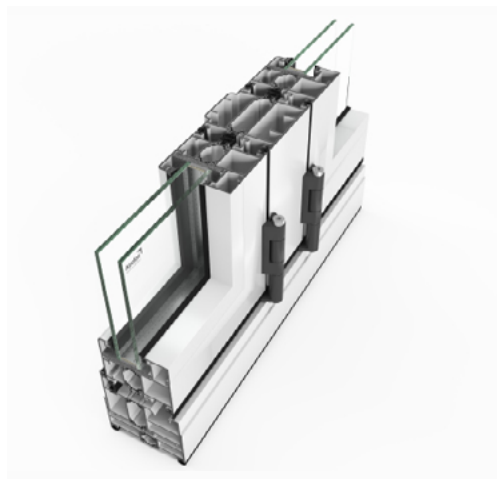
S200 RPT

Minimalist folding door series. Made with ultra-thin profiles for a vertical section of only 74 mm. Thermal Break gives it a great U_w value of only $1.54 \text{ W/m}^2\text{K}$.



S70 RPT

Specially reinforced series with thermal break, and triple sealing gasket, reaching thermal insulation values (U_w) of up to $2.6 \text{ W/m}^2\text{K}$.



S70 RPT - With reinforcement column

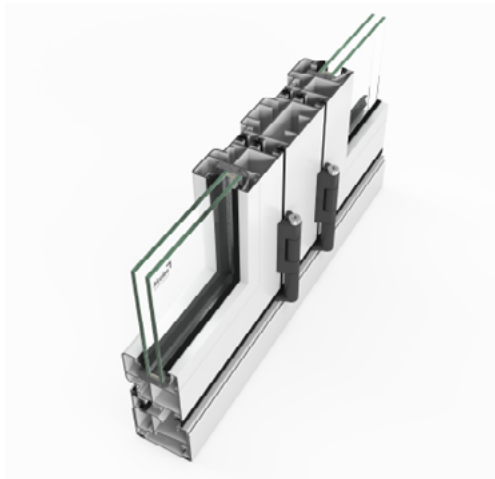
The reinforcement column allows to manufacture glass panels up to 3 m high and 1 m wide for the S70 RPT series.

Sectional details of the series without Thermal Break.



S55

Reinforced series with triple sealing gasket, perfect for windy areas.



S55 - With reinforcement column

The reinforcement column allows to manufacture glass panels up to 3 m high and 1 m wide for the S55 series.



S55 - With fixed louver shutters

The fixed louver shutters allow the installation of folding doors of the S55 series with reduced light entry.



S55 - With adjustable louver shutters

The adjustable louver shutters allow the installation of folding doors of the S55 series with the option of regulating the entrance of light according to need.



European Aluminium Systems S.L.

Avenida Europa, 103
12006 Castellón de la Plana, Spain

(+34) 964 260 849 · export@airclos.com
www.airclos.com