

Bi-fold door systems - Technical comparative table.

Airclos aluminium bi-fold doors are the most versatile option for closing spaces or dividing rooms in your home or business. You can fully close a room or regain full contact with the outside in a matter of seconds thanks to its simple operation.

In our catalogue you will find a total of 14 series of bi-fold doors and windows so that you can choose exactly the one that best suits the needs

of your family or business.

In addition, each of our series allows an extra level of customisation so as to configure all the features of the system. Choose the number of panels, the opening direction, the combination of glasses, or the position of the bottom guide among many other options.

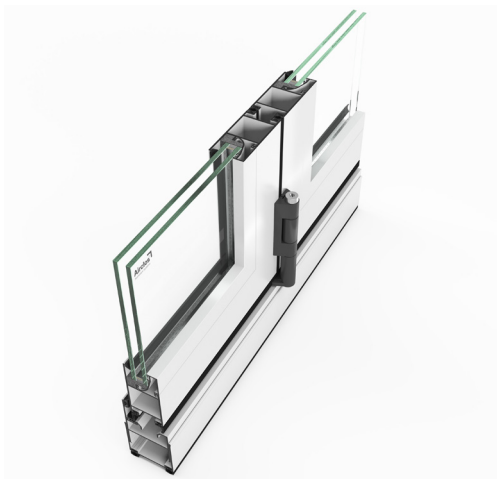
Bi-fold doors with the highest thermal performance.

The best series of our folding doors is capable of reaching a thermal transmittance coefficient of $U_w = 1.3 \text{ W/m}^2\text{K}$, thus achieving the most restrictive levels of thermal insulation. Thanks to this, maximum thermal comfort is guaranteed in your home or business, without increasing your energy bill and reducing the carbon footprint.

	S35	S55 S55 R	S70 RPT S70 R RPT	S72 RPT S72 R RPT	S110 RPT S110 R RPT	S112 RPT S112 R RPT
Material	Aluminium · Glass	Aluminium · Glass	Aluminium · Glass	Aluminium · Glass	Aluminium · Glass	Aluminium · Glass
Profile finishes	RAL · Anodised · Wooden	RAL · Anodised · Wooden	RAL · Anodised · Wooden	RAL · Anodised · Wooden	RAL · Anodised · Wooden	RAL · Anodised · Wooden
Thermal break profiles	–	–	Yes	Yes	Yes	Yes
Thermal insulation values (Uw)	–	–	2,6 W/m ² K	1,8 W/m ² K	1,45 W/m ² K	1,8 W/m ² K
Frame profile thickness (mm)	44	59	83	83	110	110
Maximum glazing gaps (mm)	9, 13, 17, 21, 24, 35	13, 19, 23, 27, 30	27, 33, 39, 43, 47, 50	27, 33, 39, 43, 47, 50	38, 50	38, 50
Maximum pane width (mm)	700	S55: 800 · S55 R: 1000	S70: 800 · S70 R: 1000	S72: 800 · S72 R: 1000	3500	3500
Maximum pane height (mm)	2500	S55: 2750 · S55 R: 3000	S70: 2750 · S70 R: 3000	S72: 2750 · S72 R: 3000	3000	3500
Flush bottom track	Yes	Yes	Yes	Yes	Yes	Yes
Reinforcing columns	–	Yes	Yes	Yes	Yes	Yes
Perimetral profile	Yes	–	–	–	–	–
Removable hinge pin	Yes	Yes	Yes	Yes	Optional	Optional
Load bearing	Upper	Upper	Upper	Upper	Lower	Lower
Number of compensating profiles	3	3	4	4	–	–
Glazing beads	Straight lengths	Straight lengths	Straight lengths	Straight lengths	Straight lengths	Straight lengths
Fixed and adjustable louver shutters	Yes	Yes	–	–	–	–
Special shapes	Corners · Angles · Curves	Corners · Angles · Curves	Corners · Angles · Curves	Corners · Angles · Curves	–	–

Please consult us for other options not mentioned in this table.

Sectional details.



S35
Slender series with double sealing gasket,
perfect for indoor use or mild weather regions.



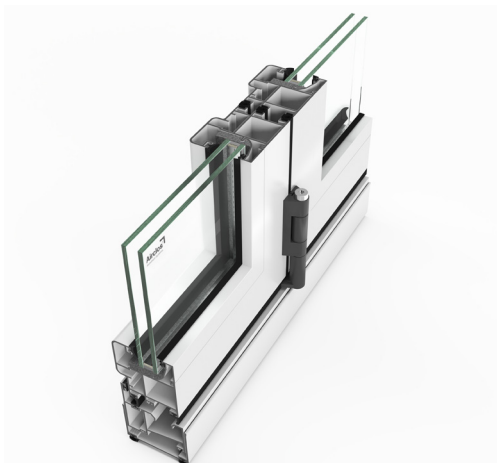
S35 P
Slender series with double sealing gasket,
perfect for indoor use or mild weather regions.



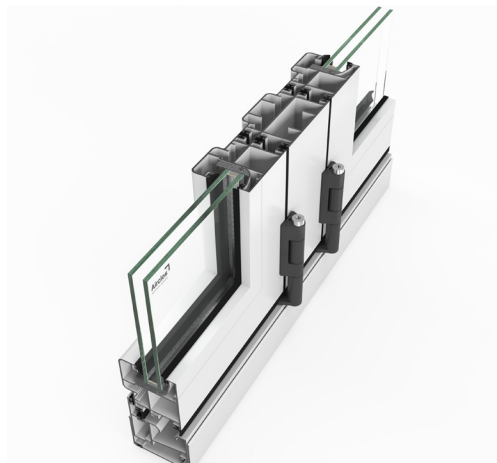
S35 MF
Series with fixed louvre shutters and double
sealing gasket, perfect for indoor use or mild
weather regions.



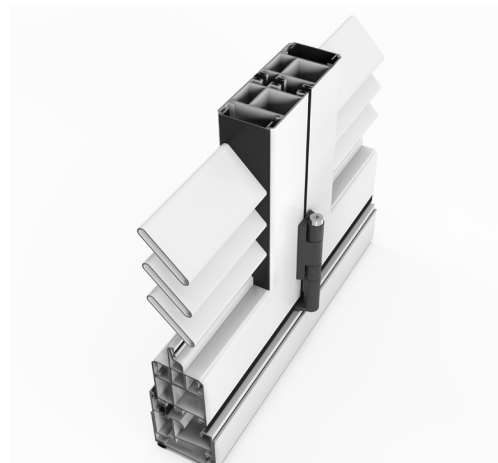
S35 MO
Series with adjustable louvre shutters and
double sealing gasket, perfect for indoor use or
mild weather regions.



S55
Reinforced series with triple sealing gasket,
perfect for windy areas.



S55 R
Reinforced series with triple sealing gasket, and
retractable central pillar for larger panels.

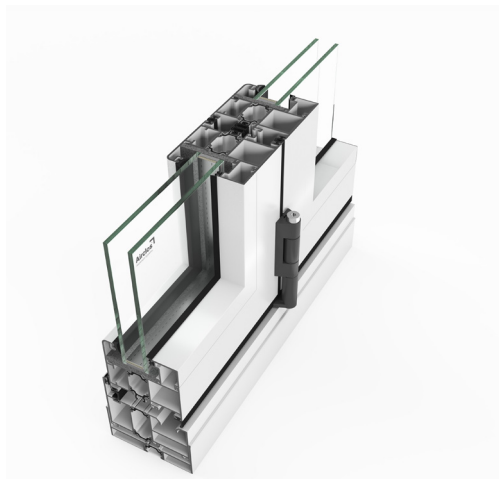


S55 MF
Reinforced series with triple sealing gasket, and
fixed louvre shutters.



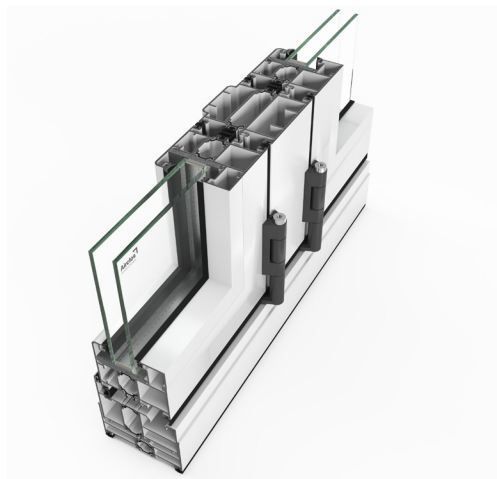
S55 MO
Reinforced series with triple sealing gasket, and
adjustable louvre shutters.

Sectional details.



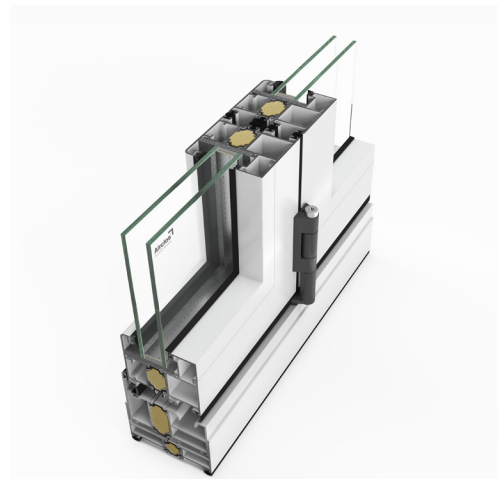
S70 RPT

Specially reinforced series with thermal break, and triple sealing gasket, reaching thermal insulation values (U_w) of up to $2.6 \text{ W/m}^2\text{K}$.



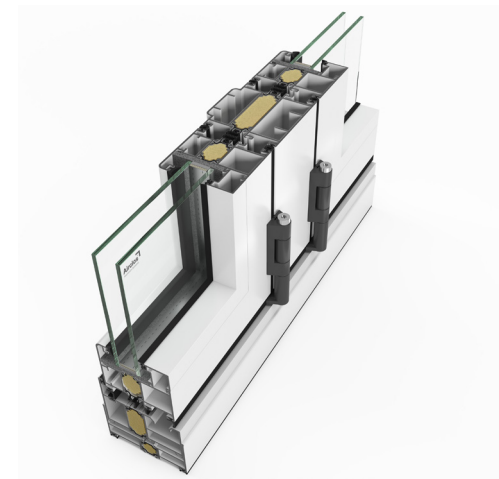
S70 R RPT

Specially reinforced series with thermal break, triple sealing gasket, and retractable central pillar for larger panels. It reaches thermal insulation values (U_w) of up to $2.6 \text{ W/m}^2\text{K}$.



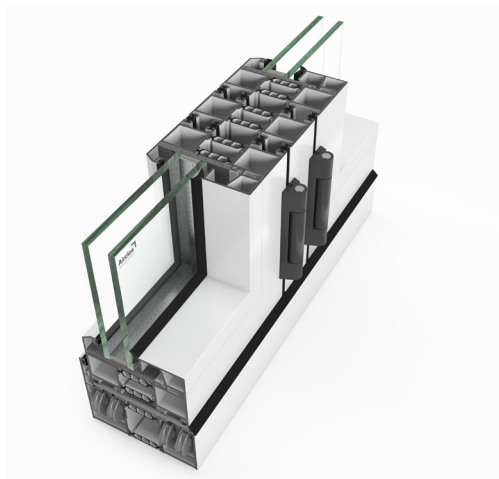
S72 RPT

Specially reinforced series with thermal break and triple sealing gasket. Its thermal performance (U_w) reaches values of up to $1.8 \text{ W/m}^2\text{K}$.



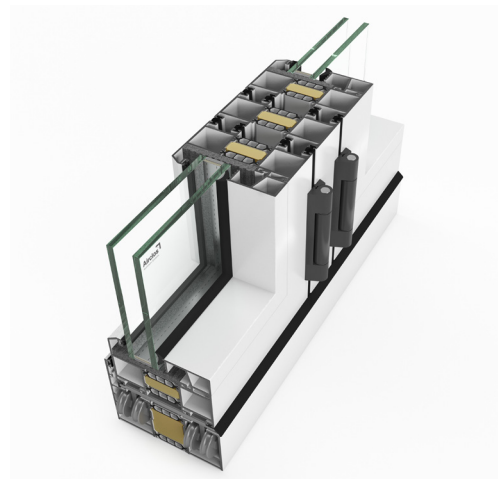
S72 R RPT

Specially reinforced series with thermal break, triple sealing gasket, and retractable central pillar for larger panels. Its thermal performance (U_w) reaches values of up to $1.8 \text{ W/m}^2\text{K}$.



S110 R RPT

Specially reinforced series with thermal break, and four sealing gaskets for the installation of double or triple glazing. It reaches thermal insulation values (U_w) of up to $1.45 \text{ W/m}^2\text{K}$.



S112 R RPT

Specially reinforced series with thermal break, and four sealing gaskets for the installation of double or triple glazing. It reaches thermal insulation values (U_w) of up to $1.3 \text{ W/m}^2\text{K}$.



European Aluminium Systems S.L.

Avenida Europa, 103
12006 Castellón de la Plana, Spain

(+34) 964 260 849 · export@airclos.com
www.airclos.com