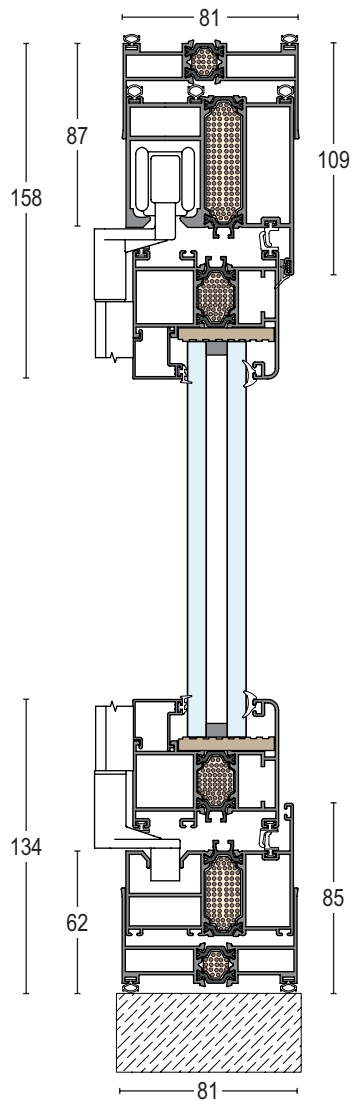


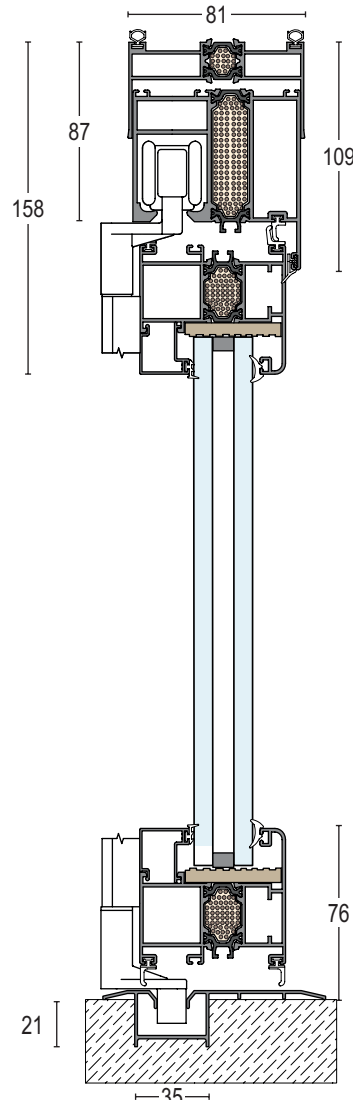
Airclos S72 RPT

Vertical section

Dimensions in mm



Raised bottom track



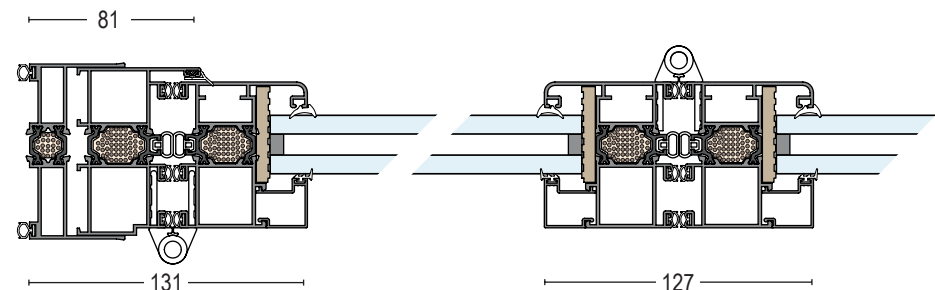
Recessed bottom track

*Dimensions are valid, except for misprints

Features

- Special reinforced series made from thermally broken aluminium. Rounded edges and triple weathertight gasket. Allows for the creation of slightly curved systems or systems which occupy a wide radius. We insert Thermoprofile bars inside our aluminium profiles, they are specials for our system and with them we achieve a thermal insulation $U_w = 1,4 - 1,8 \text{ W/m}^2\text{K}$, depending on the glass used.
- Available with 27, 33, 40, 43 and 47 mm mm gaps for the incorporation of glazing or panels.
- Leaves can open inwards or outwards, and can also incorporate one or more mid rails.
- Fitted with horizontal and vertical glazing beads.
- Series with optional flush-mounted or surface-mounted bottom track.
- Includes U-shaped compensation profile to correct minor misalignments.
- Optional incorporation of standard handles, business-type handles or three-point bolt locks.
- Accessories are available in white, black and on demand, in the same colours as the profiles.
- Series in epoxy polyester powder coated in any of 210 shades included in the classic RAL colour range, anodised or decorated with a wood-grain effect. According to production volume, a two-toned finish is possible in all options of this series – both for epoxy polyester powder coated and anodised finishes.

Horizontal section. Enforcement mullion detail



Folding sliding doors. Technical information.