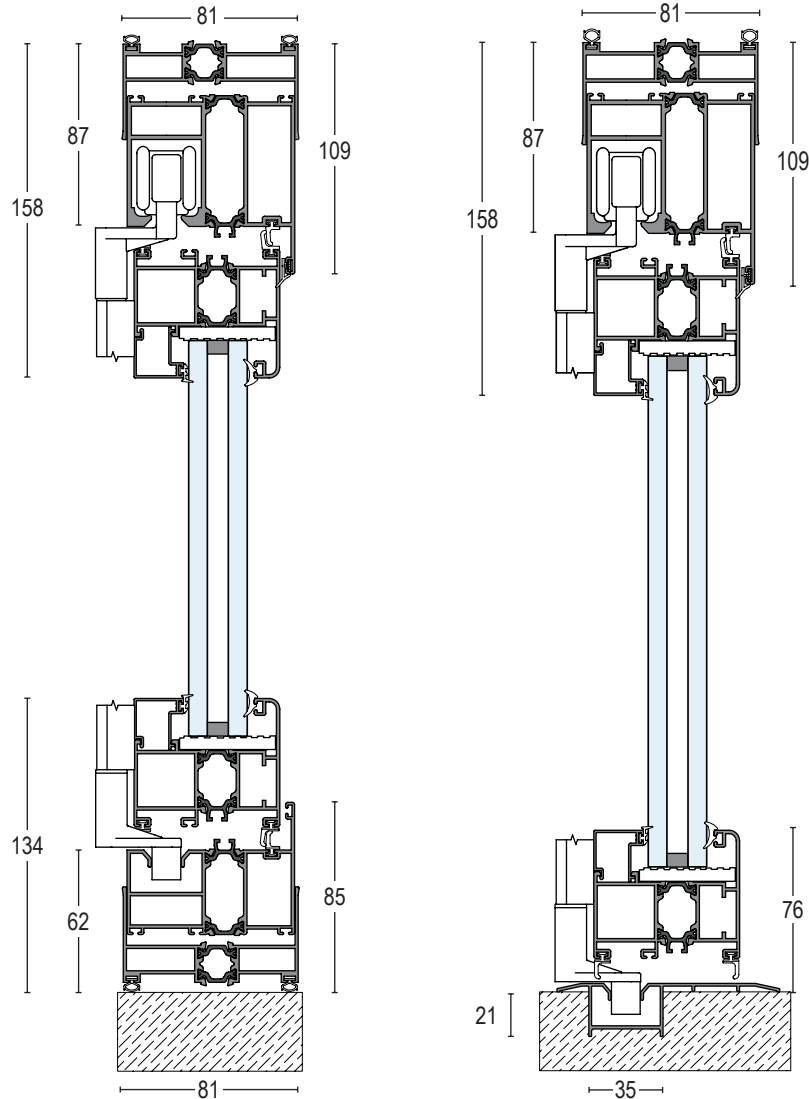


Airclos S70 RPT R

Vertical section

Dimensions in mm



Raised bottom track

Recessed bottom track

*Dimensions are valid, except for misprints

Features

- Special highly reinforced series made from thermally broken aluminium. Rounded edges, triple weathertight gasket and movable centre post. Allows for the addition of heavier and larger leaves (up to 3000 mm high and 1000 mm wide). Giving a thermic insulation, $U_w = 2,0 - 2,4 \text{ W/m}^2\text{K}$. Depending on the glass used.

- Available with 27, 33, 40, 43 and 47 mm mm gaps for the incorporation of glazing or panels.

- Leaves can open inwards or outwards, and can also incorporate one or more mid rails.

- Fitted with horizontal and vertical glazing beads.

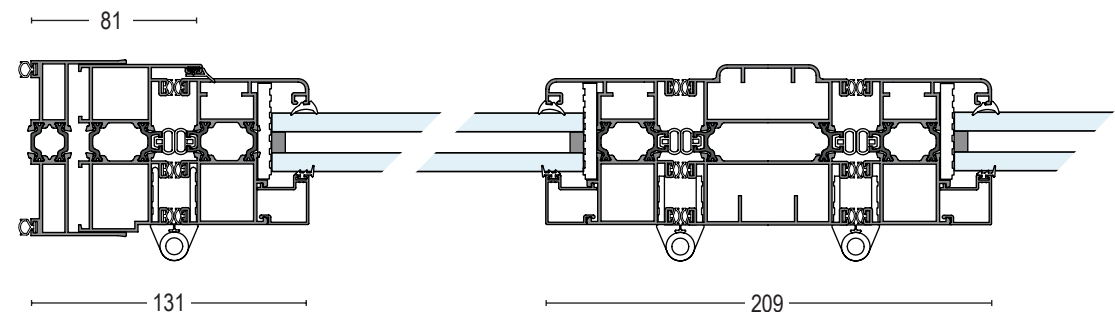
- Series with optional flush-mounted or surface-mounted bottom track.

- Includes U-shaped compensation profile to correct minor misalignments.

- Optional incorporation of standard handles, business-type handles or three-point bolt locks.

- Accessories are available in white, black and on demand, in the same colours as the profiles. Series in epoxy polyester powder coated in any of 210 shades included in the classic RAL colour range, anodised or decorated with a wood-grain effect. According to production volume, a two-toned finish is possible in all options of this series – both for epoxy polyester powder coated and anodised finishes.

Horizontal section. Enforcement mullion detail



Folding sliding doors. Technical information.