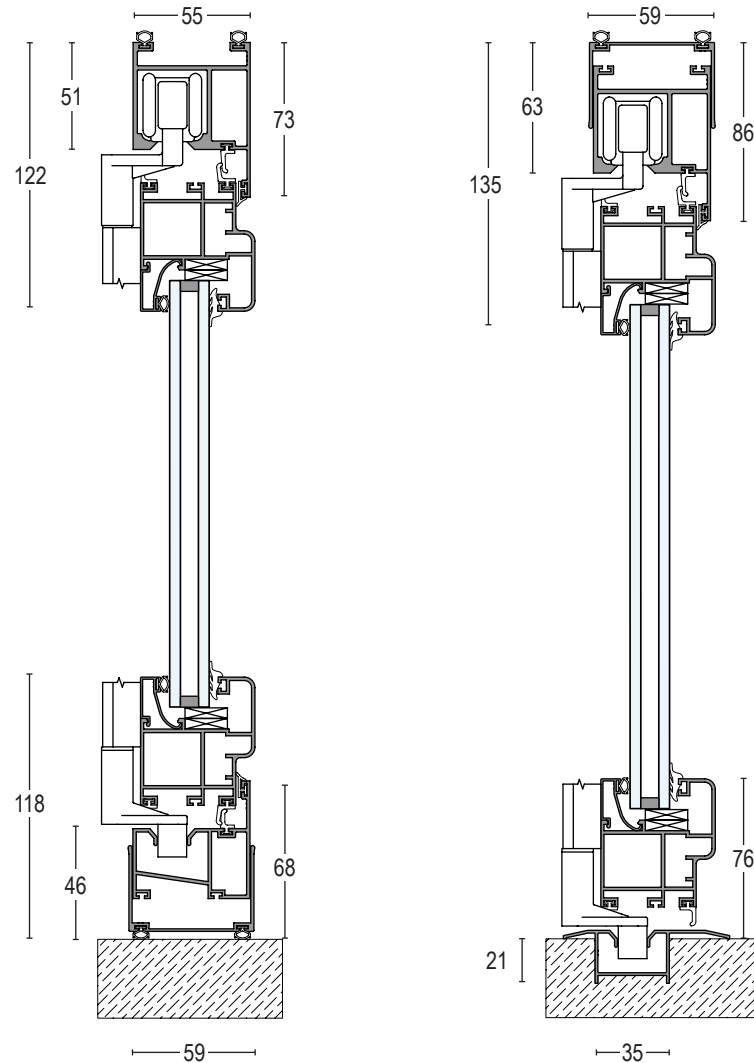


Airclos S55

Vertical section

Dimensions in mm



Raised bottom track

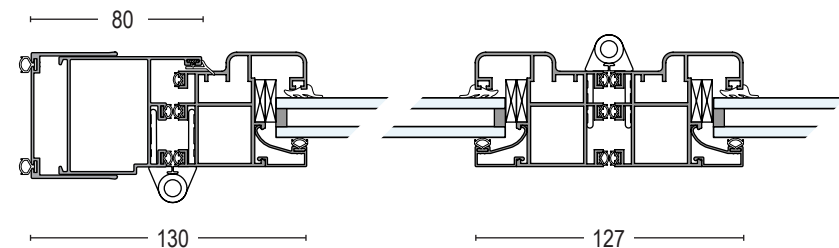
Recessed bottom track

*Dimensions are valid, except for misprints

Features

- Special reinforced series with rounded edges and triple weathertight gasket. Allows for the creation of slightly curved systems or systems which occupy a wide radius.
- Available with 13, 19, 23 and 27 mm gaps for the incorporation of glazing or panels.
- Leaves can open inwards or outwards, and can incorporate one or more mid rails.
- Fitted with horizontal and vertical glazing beads.
- Series with optional flush-mounted or surface-mounted bottom track.
- Includes U-shaped compensation profile to correct minor misalignments.
- Optional incorporation of standard handles, business-type handles or three-point bolt locks.
- Accessories are available in white, black and on demand, in the same colours as the profiles.
- Series in epoxy polyester powder coated in any of 210 shades included in the classic RAL colour range, anodised or decorated with a wood-grain effect.

Horizontal section



Folding sliding doors. Technical information.