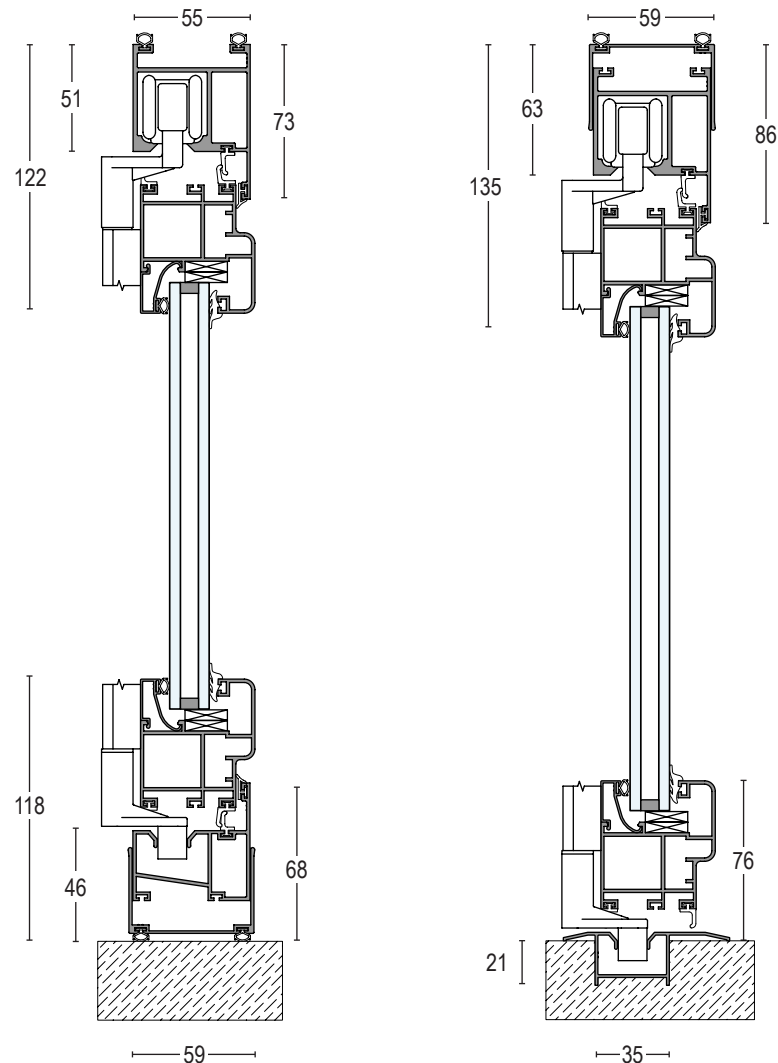


# Airclos S55 R

## Vertical section

### Dimensions in mm



**Raised bottom track**

**Recessed bottom track**

\*Dimensions are valid, except for misprints

## Features

- Special highly reinforced series with rounded edges, triple weathertight gasket and movable centre post. Allows for the addition of heavier and larger leaves (up to 3000 mm high and 1000 mm wide).
- Available with 13, 19, 23 and 27 mm gaps for the incorporation of glazing or panels.
- Leaves can open inwards or outwards, and can incorporate one or more mid rails.
- Fitted with horizontal and vertical glazing beads.
- Series with optional flush-mounted or surface-mounted bottom track.
- Includes U-shaped compensation profile to correct minor misalignments.
- Optional incorporation of standard handles, business-type handles or three-point bolt locks.
- Accessories are available in white, black and on demand, in the same colours as the profiles.
- Series in epoxy polyester powder coated in any of 210 shades included in the classic RAL colour range, anodised or decorated with a wood-grain effect.

## Horizontal section. Enforcement mullion detail

