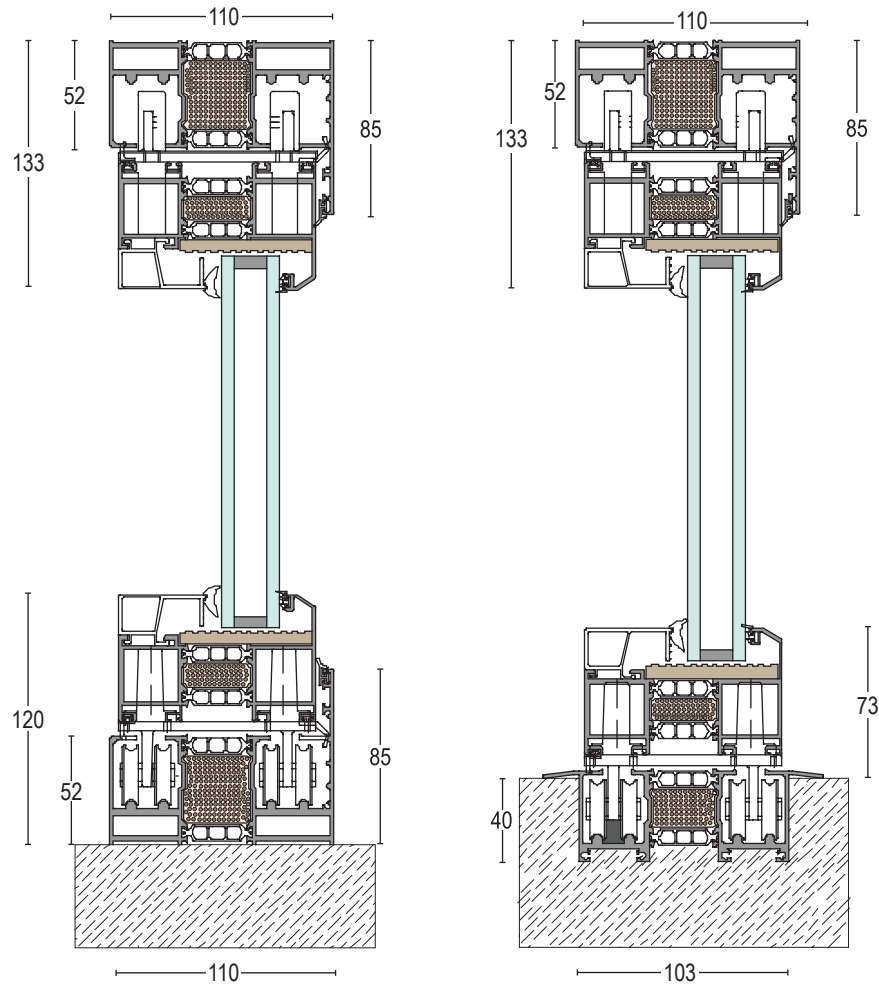


# Airclos S112 RPT

## Vertical section



**Raised bottom track**

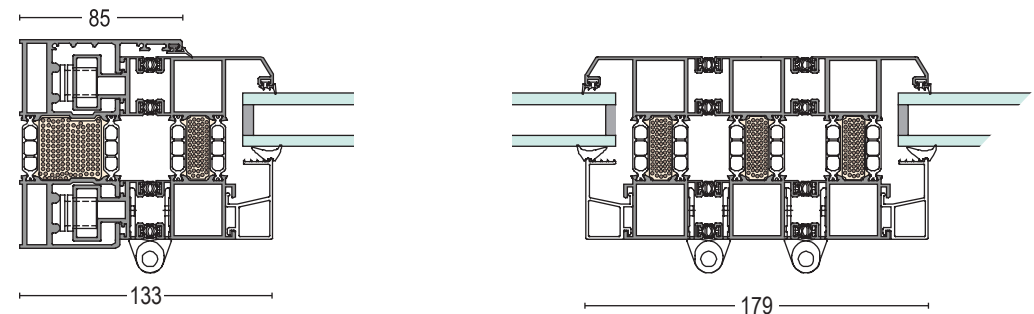
**Recessed bottom track**

\*Dimensions are valid, except for misprints

## Features

- Heavy duty & architectural series with thermal break profiles, straight edges with 4 weather strips, it gives the best performance in thermal insulation,  $U_w = 1,3 \text{ W/m}^2\text{K}$ , depending on the glass used. It has an ultra-slim mobile central mullion, which will allow offer big sizes systems, arriving easily till 3500 height with a 1100 mm width panels.
- Available to glazing with a 38 to 50 mm thickness glass range.
- Leaves can open inwards or outwards, and can also incorporate one or more mid rails.
- Double or triple Insulated glass units. The glazing beads vertical and horizontal, are anti-thieves, being impossible take out from outside.
- Series with optional flush-mounted or surface-mounted bottom track.
- Optional incorporation of standard handles, business-type handles or three-point bolt locks.
- Accessories are available in white, black and on demand, in the same colours as the profiles. Series in epoxy polyester powder coated in any of 210 shades included in the classic RAL colour range, anodised or decorated with a wood-grain effect. According to production volume, a two-toned finish is possible in all options of this series – both for epoxy polyester powder coated and anodised finishes.

## Horizontal section



**Folding sliding doors. Technical information.**