

Serie E45

Tempered glass enclosures, without vertical members, made up of independent panels, allowing for full opening as they can be folded away and stacked at either end. Available in tempered glass with thicknesses of 10 mm and polished edges allowing for safe handling.

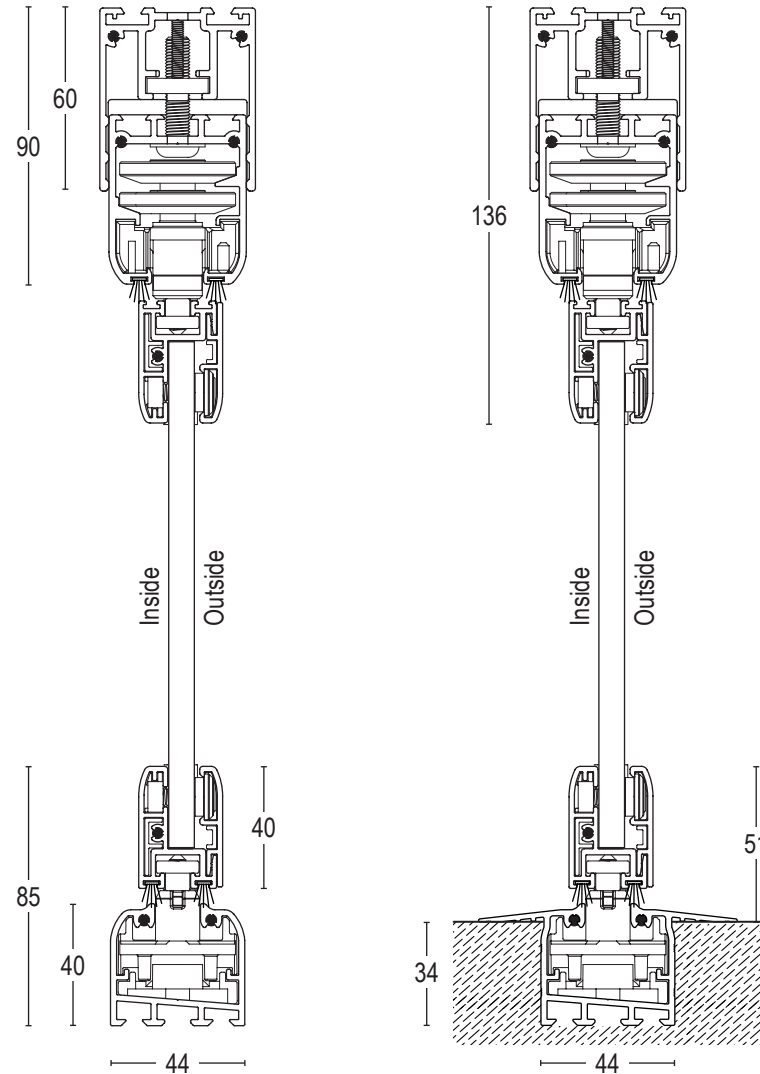
The panels open towards the interior and the bottom frame can either be superimposed or built into and flush with the floor.

The members are fitted with horizontal spacers to compensate for any small level changes.

Available in lacquered finishes (210 tonalities from the RAL Classic range), decorated in imitation wood grain and lacquered to simulate an anodised finish. All of the visible accessories are also lacquered in the same finish as the members.

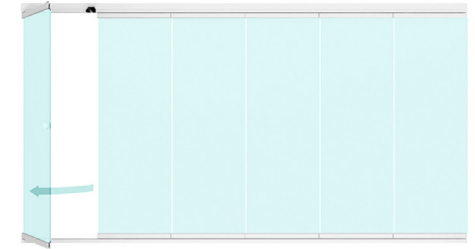
Vertical section

Dimensions in mm

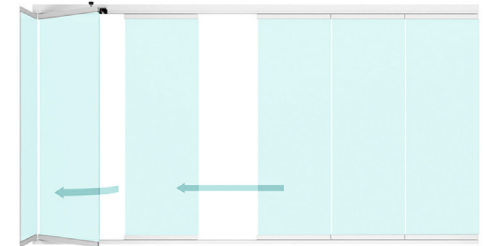


Surface-mounted
bottom track

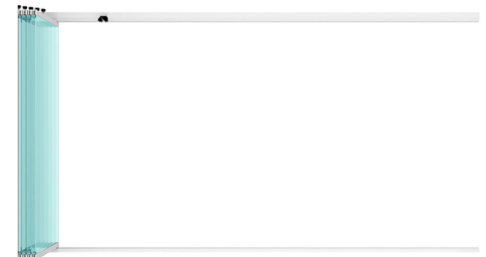
Flush bottom
track



Simple opening with knob



Easy sliding and rotation of the leaves



Large aperture area when the leaves are open